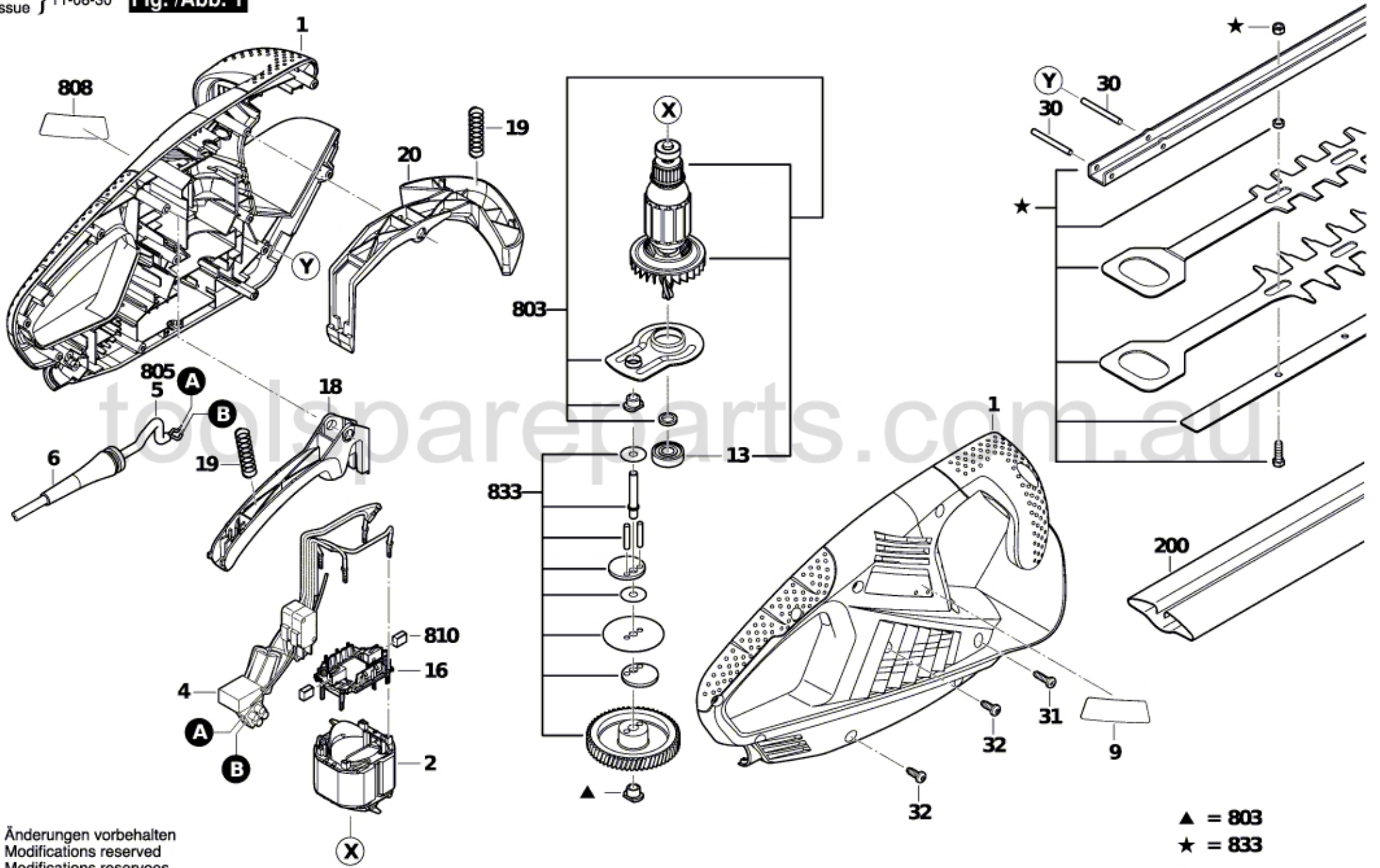


3 600 H47 A01

Stand } 11-08-30
Issue }

Fig. /Abb. 1



Änderungen vorbehalten
Modifications reserved
Modifications reserves
Salvo modificaciones

▲ = 803

★ = 833